

STAIRCASE ROPE

FULLY STOCK SUPPORTED

FUNCTIONAL & AESTHETIC

Individuality
AND ELEGANCE WITH STAIRCASE ROPE

■
Wool
Staircase Rope
15903

■
Handmade
ball ends



■
Wool Staircase Rope (with brass fittings)



■
Jute Staircase Rope (with black fittings)

■
Jute
Staircase Rope
15904

fittings
included

ROPES

STOCK SUPPORTED RANGE

With a choice of two different materials; Jute and Wool each offering their own functional and aesthetic characteristics, the staircase rope product range provides alternative solutions within a concise selection.

Each rope is available in a choice of three lengths, and is supplied with wall fittings (see over for details).

PRODUCT INFORMATION & RANGE AVAILABILITY

STAIRCASE ROPE is a fully stock supported range and therefore all the products shown can be purchased from stock, subject to availability in the pack sizes listed. The minimum order for any stock supported product is one pack per article, per colour. Please review the product information box overleaf for details.

BESPOKE SERVICE: Products can also be purchased as a bespoke range should you require any amendments to colour, size or pack size. The bespoke minimums (MOQ BS) listed are the absolute minimum and subject to increases particularly if new components or dye lots are required. All orders are subject to a lead time; please discuss these with your sales representative.

■ STOCK

JUTE ROPE

Whilst durable, the jute staircase rope is a coarse fibre and therefore best used in areas where longevity is more important than comfort of use.

This rope is available in the one colour (shown opposite), in a range of 3 lengths: 3m, 3.5m and 4m, and is supplied with black wall fittings. Each rope has 2 securely fixed handmade ball ends and comes with 4 wall fittings (1 fixed at one end of the rope and 3 loose for you to attach where required).

Please note that the rope should not be cut and that the instructions should be followed carefully.



16016 (3m) 165904 (3.5m) 16017 (4m) Jute Rope

WOOL ROPE

With its hard wearing and natural fire retardant properties, wool is a fantastically versatile product. The Wool Staircase Rope is made from highly twisted yarn reducing fuzziness and has a smoother, more luxurious feel than jute and is ideal for heavy domestic use.

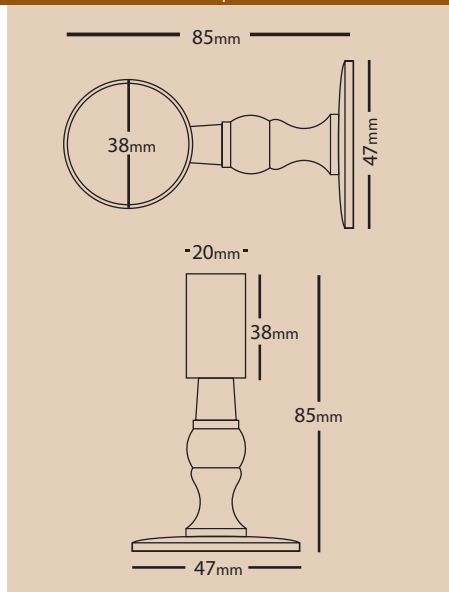
This rope is available in six colours (shown below), in a range of 3 lengths: 3m, 3.5m and 4m, and is supplied with brass wall fittings. Each rope has 2 securely fixed handmade ball ends and comes with 4 wall fittings (1 fixed at one end of the rope and 3 loose for you to attach where required).

Please note that the rope should not be cut and that the instructions should be followed carefully.



16018 (3m) 15903 (3.5m) 16019 (4m) Wool Rope

■ COLOURS (Wool rope available all colours shown, Jute rope available in the one colour shown above)



Status	Article No.	Description	Size	Pack Size	MOQSP	MOQBS	Composition
● ST	16016	Jute Staircase Rope (with black wall fittings)	3m	1 unit	5	5	31.CO 33.JU (fittings 36.ME)
● ST	15904	Jute Staircase Rope (with black wall fittings)	3.5m	1 unit	5	5	32.CO 34.JU (fittings 34.ME)
● ST	16017	Jute Staircase Rope (with black wall fittings)	4m	1 unit	5	5	31.CO 33.JU (fittings 36.ME)
● ST	16018	Wool Staircase Rope (with brass wall fittings)	3m	1 unit	5	5	39.CO 25.WO (fittings 36.ME)
● ST	15903	Wool Staircase Rope (with brass wall fittings)	3.5m	1 unit	5	5	42.CO 26.WO (fittings 32.ME)
● ST	16019	Wool Staircase Rope (with brass wall fittings)	4m	1 unit	5	5	40.CO 25.WO (fittings 35.ME)